

(1) SMR Code	(2) Federal Stock Number	(3) Description  Reference number & mfg. code	(4) Unit Of Meas.	(5) Qty Inc In Unit	(6) 15-day organizational Maintenance slw				(7) Illustration	
					(a) 1-5	(b) 6-20	(c) 21-50	(d) 51-100	(a) Figure No.	(b) Rem No.
		0609—LIGHTS—Continued								
P-O	5310-514-6674	WASHER, LOCK: turn signal light MS35335-34 (96906)	EA	2	*	*	*	*	29	8
P-O	2540-930-2044	PARTS KIT, TURN SIGNAL LENS: 5703310 (19207) Consisting of:	EA	1	*	*	*	*		
P-O	5330-179-0420	GASKET 11598926 (19207)	EA	1	*	*	*	*	29	2
P-O	6220-145-1342	LENS 11598925 (19207)	EA	1	*	*	*	*	29	3
P-O	5310-557-8706	WASHERS 11598927 (19207)	EA	2	*	*	*	*	29	4
P-O	5305-457-9318	SCREWS 8712360 (19207)	EA	2	*	*	*	*	29	5
P-O	6220-669-5623	STOPLIGHT-TAILLIGHT, VEHICULAR: service and blackout, left, assy MS51329-1 (96906)	EA	1	*	*	*	*	30	1
P-O	6220-368-4945	BODY, LIGHT: tail 7529242 (19207)	EA	1	*	*	*	*	30	2
P-O	6240-019-0877	LAMP, INCANDESCENT: left taillight MS15570-1251 (96906)	EA	2	*	*	*	*	30	3
P-O	5330-297-7106	GASKET, RUBBER: taillight door 7320658 (19207)	EA	1	*	*	*	*	30	4
P-O	6220-752-6020	DOOR, TAILLIGHT: w / screws, assy, left 7526020 (19207)	EA	1	*	*	*	*	30	5
P-O	6240-044-6914	LAMP, INCANDESCENT: stoplight MS35478-1683 (96906)	EA	1	*	*	*	*	30	6
P-O	6220-337-6471	LIGHT, TAIL: right, assy 8378786 (19207)	EA	1	*	*	*	*	31	1
P-O	6220-368-4945	BODY, LIGHT: tail 7525997 (19207)	EA	1	*	*	*	*	31	2
P-O	6240-019-0877	LAMP, INCANDESCENT: right taillight MS15570-1251 (96906)	EA	2	*	*	*	*	31	3

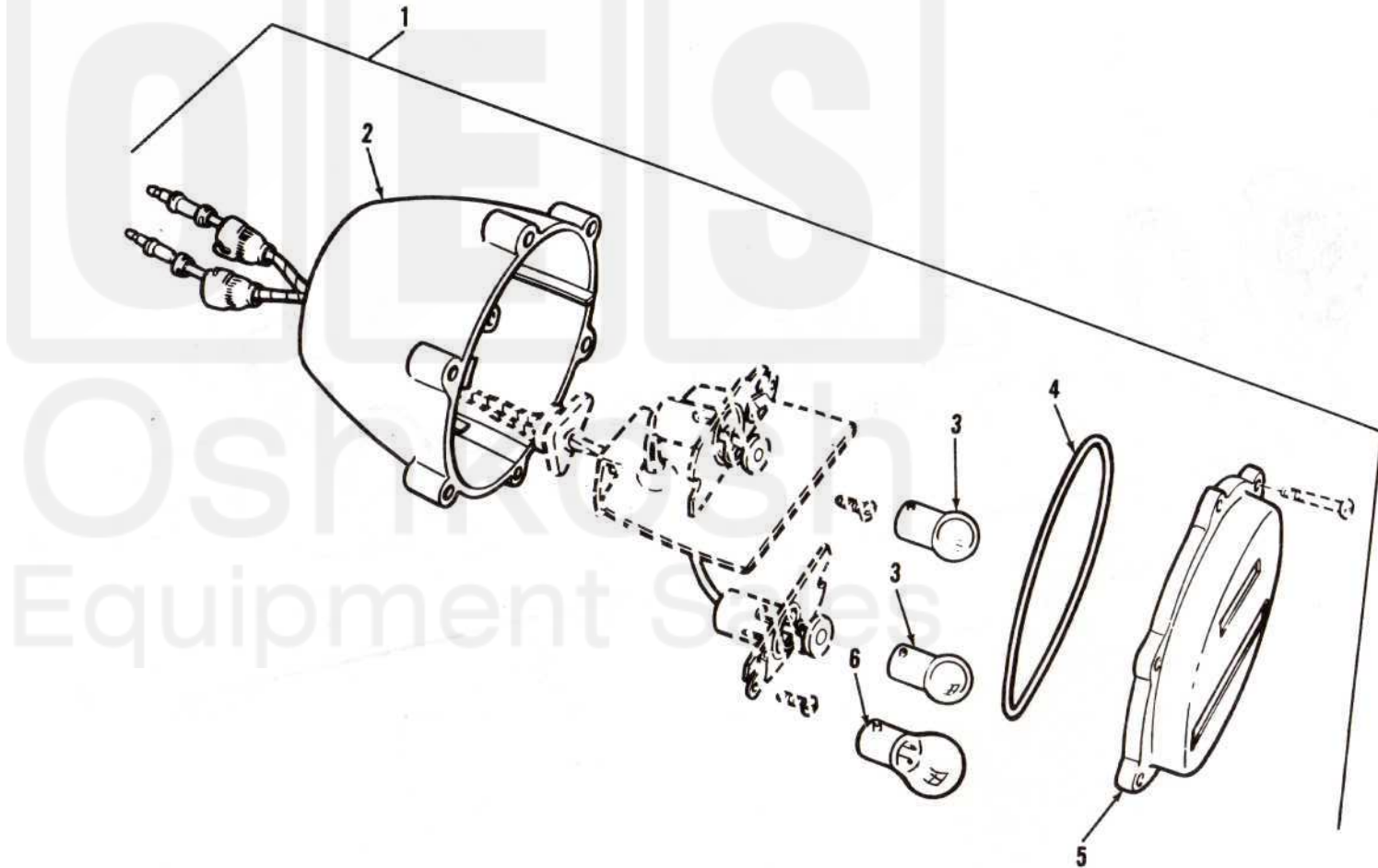


Figure 30. Left service blackout, and stoplight assembly.